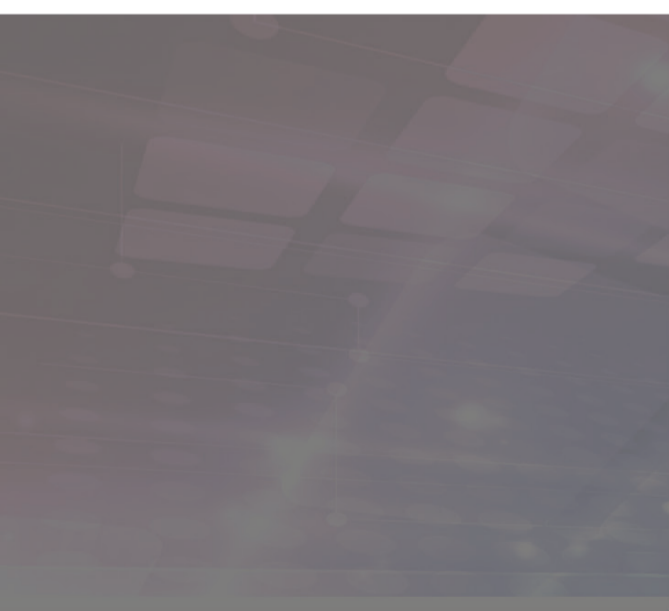


MH Protection Relays



Digital Earth Leakage Relays
EL 03D / EL 30D

A Protection Class of its Own

Digital Earth Leakage Relay

Model EL 03D / EL 30D

The EL 03D and EL 30D is a digital earth leakage relay for DIN rail mounting. The advanced design meets IEC60755 Type-A & AC operation to accurately deduce the leakage current level in network with high harmonics loads content. It provides real-time communication via Modbus-RTU protocol to Building Monitoring System / Energy Management System network and 2-Contacts Output to support traditional management system.



Key features

- Earth Leakage Current protection.
- Model available in 2 setting range.
- IEC 60755 Type-A and AC performance.
- Microprocessor controlled DTL operation.
- Backlit high contrast LCD display.
- Modbus-RTU RS485.
- 4 Trip Event Records with Date and Time Stamping.
- Configurable Pre-Fault Alarm Output.
- Optional Remote Reset Input.
- Sealable tamper proof front cover.

Standards Compliance

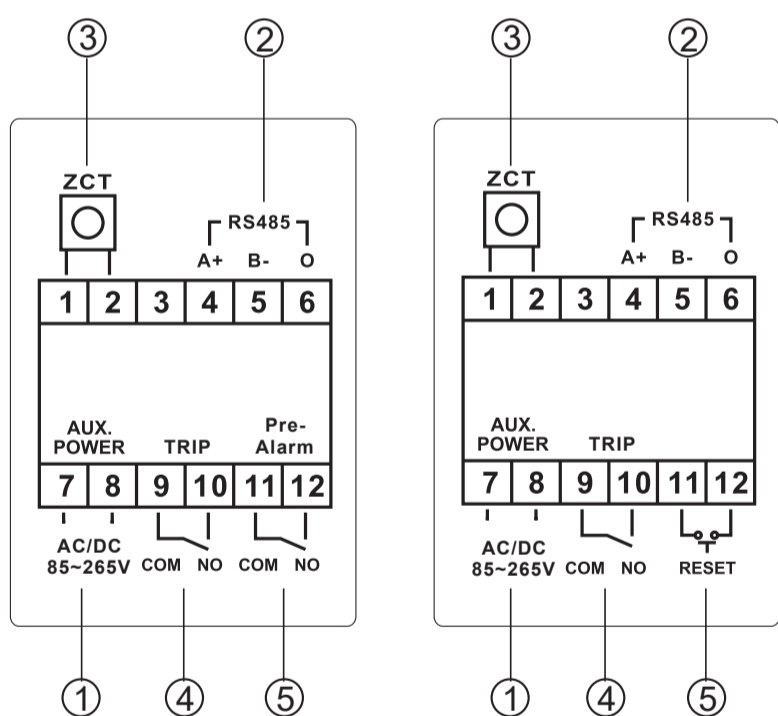
- Residual Current Operating Performance
 - IEC 60755 Type - A
 - IEC 60755 Type - AC
- Product Safety
 - IEC 60255-27
- Electromagnetic Compatibility
 - IEC 61000-4-2 (IEC 60255-26)
 - IEC 61000-4-3 (IEC 60255-26)
 - IEC 61000-4-4 (IEC 60255-26)
 - IEC 61000-4-5 (IEC 60255-26)
 - IEC 61000-4-6 (IEC 60255-26)
 - IEC 61000-4-8 (IEC 60255-26)
 - IEC 61000-4-11 (IEC 60255-26)
- Vibration, Shock and Bump Test
 - IEC 60255-21-1
 - IEC 60255-21-2
- Dry Heat, Damp Heat, Steady State, Cyclic Temperature with Humidity Test
 - IEC 60068-2-2 (IEC 60255-1)
 - IEC 60068-2-78 (IEC 60255-1)
 - IEC 60068-2-30 (IEC 60255-1)

Scan QR code for
Operation Manual



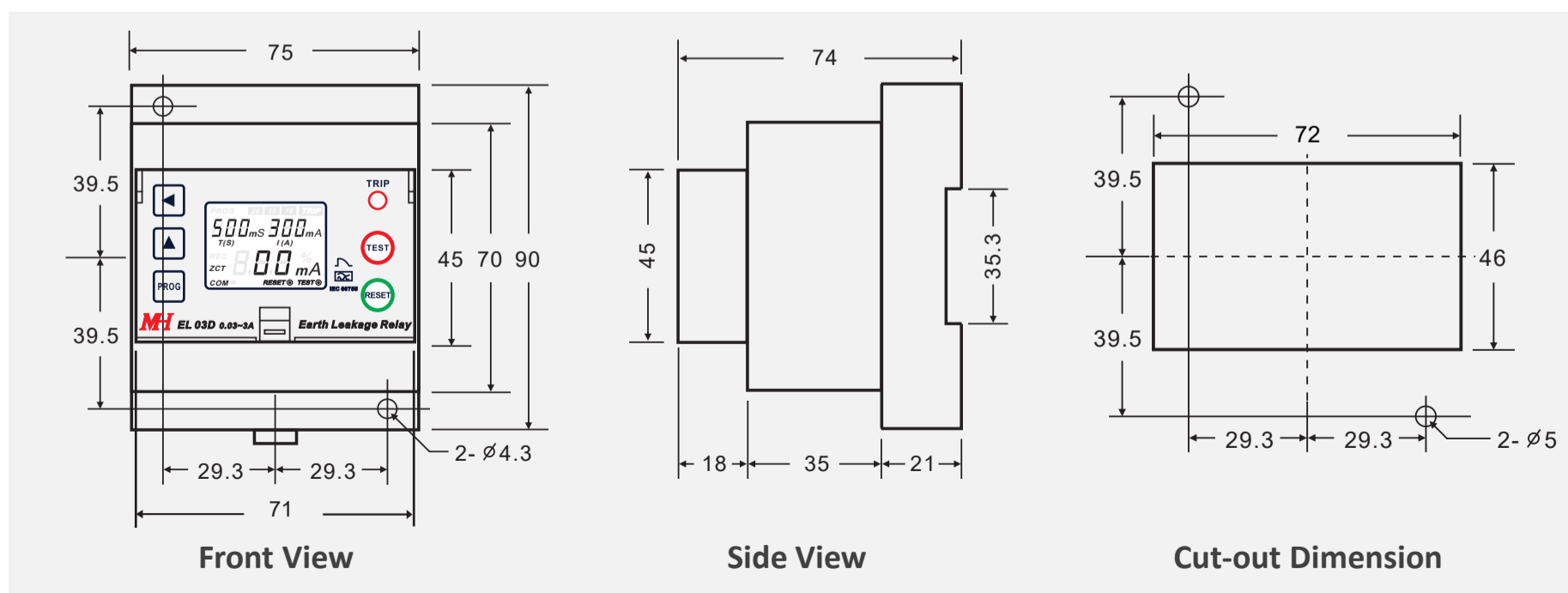
Technical Specification

EL03D	Setting range from 0.03 to 3.00A (step of 0.01A)
EL30D	Setting range from 0.3 to 30.0A (step of 0.1A)
Delay Time Setting	0.01 - 0.50 sec (step of 0.01sec), 0.01 - 5.00 sec upon request
Power Supply voltage	85 - 265 VAC/DC (other voltage available upon request)
Power consumption	< 3.5VA
Output Relay Contacts	Contact #1 Trip – N/O (250VAC 5A) Contact #2 Trip/Pre-Alarm – N/O (250VAC 5A) (Remote Reset optional)
Display type	Back lit LCD with Setting & Delay Time Value, Instantaneous Leakage mA Value, Multi-Segment % Value, Communication Status, ZCT Status
Configurable Pre-Alarm Setting	Pre-Alarm with current setting range of 5 - 100% (step of 1%)
LED Status Indicator	Red LED for Tripped, Red Blinking LED for ZCT open circuit
Operating temperature	0 - 60°C
Trip Event recording	4 event recording with Event Trip Current value, date and time stamping
Operating humidity	< 95% RH (non-condensing)
Communication	Modbus-RTU RS485 upto 384kbps baud rate
Password access PIN	3 Digit numeric password user configurable
Housing material	ABS resin complies with UL94VO
Protection class	IP 54 (Front)
Unit weight	Approximately 200g
Unit dimension	75mm (width) x 90mm (height) x 74mm (depth)



Connection Diagram:

1. Power Input
2. Modbus-RTU RS485
3. ZCT Input
4. N/O Output Contact #1 (Trip Status)
5. N/O Output Contact #2 (Trip/Pre-Alarm Status)
6. Remote Reset (Optional)



Singapore (Headquarter)

MUN HEAN SINGAPORE PTE LTD
51 Kim Keat Road, Unit 05-01/02
Mun Hean Industrial Building
Singapore 328821
Tel: +65-6250 0522
Fax: +65-6253 6885 / +65-6253 5879
Email: munheansing@munhean.com.sg

Malaysia

MUN HEAN (MALAYSIA) SDN BHD
No. 15, Jalan SS26/6 Taman Mayang Jaya
47301 Petaling Jaya, Selangor Darul Ehsan
Malaysia
Tel: +60 3-7804 2288
Fax: +60 3-7803 1185
Email: munheanmy@munhean.com.my

Indonesia

PT MUN HEAN INDONESIA
Jl. Tanjung Daren Barat No. 27-27A
Tanjung Duren Utara, Grogol,
Petamburan Jakarta Barat 11470, Indonesia
Tel: +62 21-5695 8828
Fax: +62 21-5695 8829
Email: munheanindo@munhean.co.id

Vietnam

MUN HEAN VIETNAM CO LTD
68 Nguyen Quy Duc Street
An Phu Ward, District 2
Ho Chi Minh City, Vietnam
Tel: +84 28-6281 0817 / 0819
Fax: +84 28-6281 0815
Email: munheanvn@munhean.com.vn

Myanmar

MH POWER MYANMAR CO LTD
No. 96 Yadanar Myaing Street
Off Yangon-Insein Road (West Side)
Kamaryut Township, Yangon, Myanmar
Tel: +95 1-505 364
Fax: +95 1-505 364
Email: mhmyanmar@munhean.com

Hong Kong

MUN HEAN ELECTRICAL ENGINEERING (HK) CO LTD
Unit 602, 6/F, Westlands Centre
20 Westlands Road, Quarry Bay
Hong Kong
Tel: +852-2873 1711
Fax: +852-2518 7013
Email: munheanhk@munhean.com.hk

Taiwan

MH ELECTRICAL SOLUTIONS CO LTD
5F-3, No. 16, Lane 609
Sec. 5 Chongxin Road, San-chong Dist.
New Taipei City 24159, Taiwan R.O.C.
Tel: +886 2-2999 3993
Fax: +886 2-2999 3779
Email: mhes@mh-tw.com

Beijing

MUN HEAN HONG FEI (BEIJING) TECHNOLOGY CO LTD
Room 3-2223, Gold Spring Times
No. 317, Datun Li, Chaoyang District
Beijing 100101, China
Tel: +86 10-8483 9722
Fax: +86 10-8483 9721
Email: mhhf@munhean.com.cn

Shenzhen

MUN HEAN POWER TECHNOLOGY (SHENZHEN) CO LTD
Room 2006, MeiLan Business Center
QianJin 2nd Road, Xixiang Street, Baoan District
Shenzhen 518102, China
Tel: +86 755-2778 8081
Fax: +86 755-2778 8083
Email: sales@munhean.cn

Philippines

MH POLY-ELECTROMECHS, INC
11th Floor, CyberOne Building
Eastwood Cyberpark, Brgy. Bagumbayan
Quezon City 1110, Philippines
Tel: +63-2 8366 8381 / +63-2 8366 8341
Fax: +63-2 8366 8451
Email: mhpoly@munhean.com.ph

