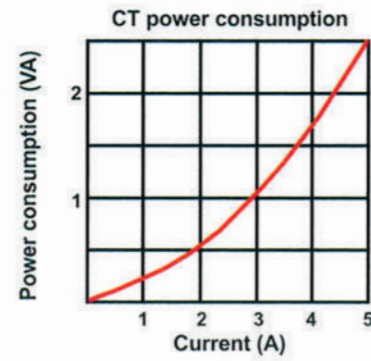
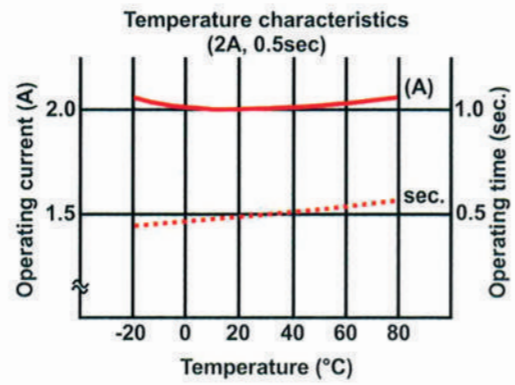
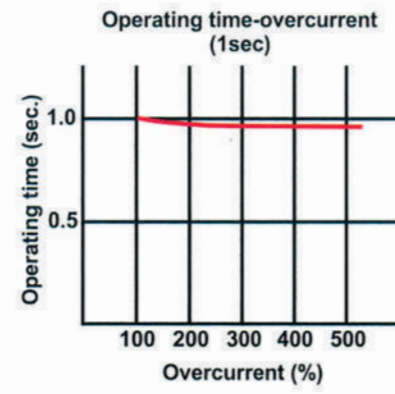
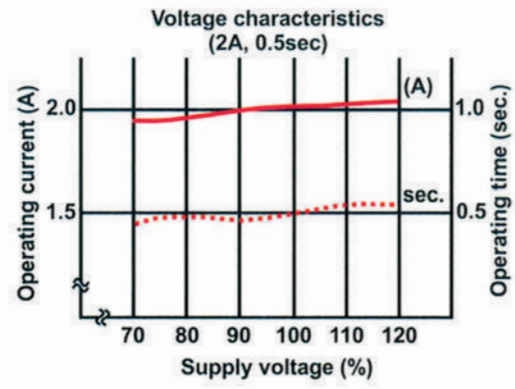
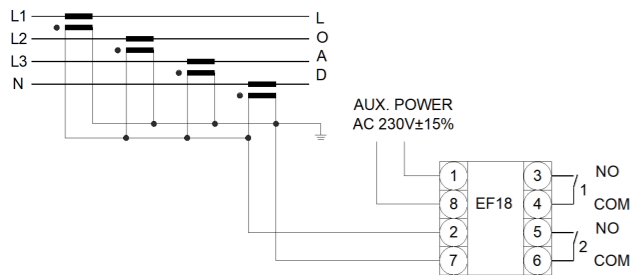


## Characteristics Curve



## Connection Diagram



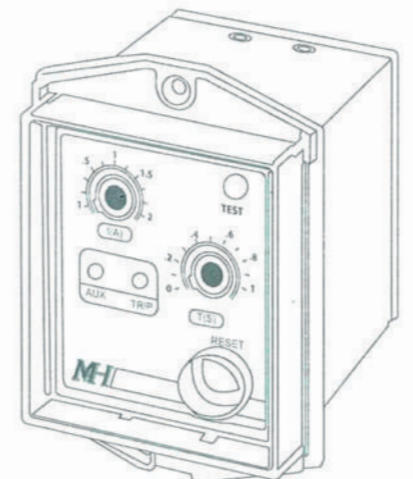
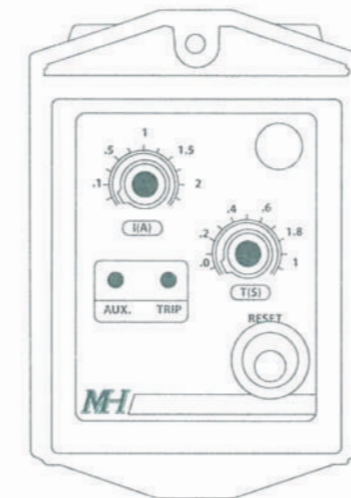
### About MTB Fault Indication System

MTB, or Mechanical Trip Button is a fault indication system incorporated in advanced protection relaying for electrical power networks. The MTB does not require auxiliary supply to provide a fault indication. The MTB is designed to prevent power circuits from re-energising before a fault is completely rectified. This is an essential safety feature which protection relays using electrical latching mechanisms are not able to provide.

Authorized Dealer:

Product specifications and features are subject to change without prior notice

*A Protection Class of its Own*  
DTL Earth Fault Relay • EF18



**MH** represents a legacy of design and development, specializing in power management and power quality solutions and its core expertise, electrical protection relays. The MH Protection Relays has its heritage dated since 1981 where, designed by Mun Hean and manufactured by Kasuga of Japan, developed a range of electronic relays that dominated the market for decades.

Today, with its own R&D wing, Mun Hean Technology Pte Ltd, MH continues this tradition. Anchored on the exclusive MTB fault indication system, we proudly bring to you this state-of-the-art protection relay series that is truly, A Protection Class of its Own.

### Features

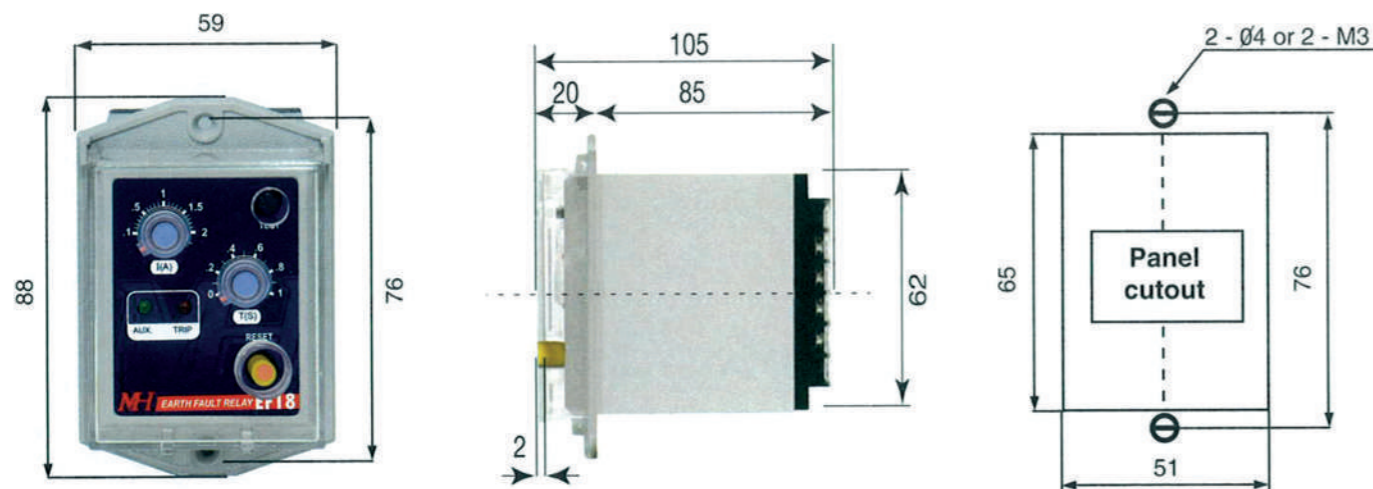
- Mechanical Trip Button (MTB) fault indication system
- No requirement for auxiliary power supply for fault indication
- Safeguard against automatic reset before fault rectification
- Tamper-proof design for settings protection
- Type tested in acc. with IEC 60255\*

\* Type test reports issued by independent testing laboratory are available upon request.



Models	EF 18
Current setting	0.1 - 2.0A
Delay time setting	0 - 1 sec
Reset current value	≤ 90% of operating value
Contacts	2 x N/O(Normally Open)

### Dimensions



Characteristics		
Power supply		AC230V ± 15% * (other voltages available on request)
Operating frequency		50 / 60Hz
Power Consumption		Approximately 2VA
Rated Input Current		5A (1A available upon request)
Operating and storage temperature range		Operating -10°C to 55°C Storage and transit -20°C to 65°C
Relative humidity		< 93%, non-condensing
Degree of protection		IP31 (Front), IP20 (Back)
Overcurrent withstandability		10 * I rated (for 1 sec)
Output	Relay Output	2 x N/O (Normally Open)
	Contact Rating	2A at 250VAC
LED status indication		● (Normal operation) ● (Fault current detected)
Safety feature		● Mechanical Trip Button (MTB) complying with ANSI 86
Housing material		ABS resin complying with UL94VO
Unit weight		Approximately 300g
Compliance with standards		
Product Standard		IEC 60255 Series
Product Safety Requirements		IEC 60255-27
Electromagnetic Compatibility		CISPR11/22 (IEC 60255-26)
		IEC 61000-4-2 (IEC 60255-26)
		IEC 61000-4-3 (IEC 60255-26)
		IEC 61000-4-4 (IEC 60255-26)
		IEC 61000-4-5 (IEC 60255-26)
		IEC 61000-4-6 (IEC 60255-26)
		IEC 61000-4-8 (IEC 60255-26)
Vibration, Shock and Bump		IEC 60255-21-1
		IEC 60255-21-2
Dry Heat, Damp Heat, Steady State, Cyclic Temperature with Humidity		IEC 60068-2-2 (IEC 60255-1)
		IEC 60068-2-78 (IEC 60255-1)
		IEC 60068-2-30 (IEC 60255-1)
Safety		CE Marking